

Silicon PNP Power Transistors

2SB1022

DESCRIPTION

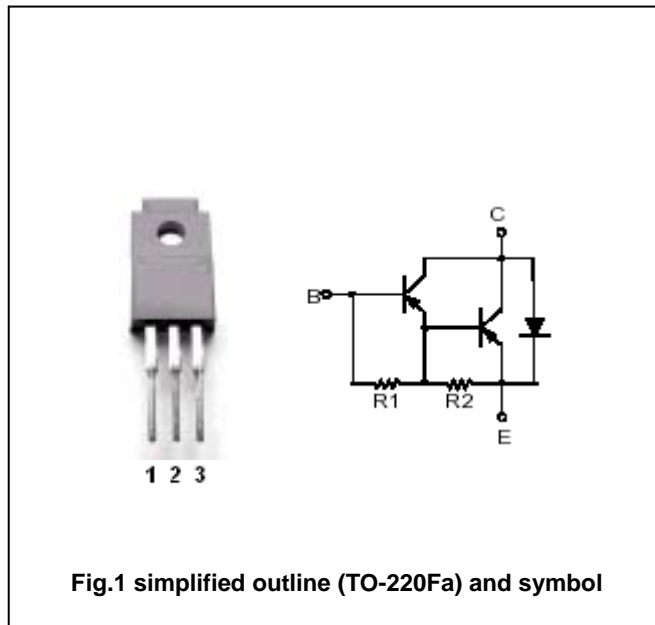
- With TO-220Fa package
- High DC current gain
- Low saturation voltage
- Complement to type 2SD1417

APPLICATIONS

- High power switching applications
- Hammer drive,pulse motor drive applications

PINNING

PIN	DESCRIPTION
1	Base
2	Collector
3	Emitter



Absolute maximum ratings(Ta=25)

SYMBOL	PARAMETER	CONDITIONS	VALUE	UNIT
V _{CBO}	Collector-base voltage	Open emitter	-60	V
V _{CEO}	Collector -emitter voltage	Open base	-60	V
V _{EBO}	Emitter-base voltage	Open collector	-5	V
I _C	Collector current		-7	A
I _B	Base current		-0.2	A
P _C	Collector power dissipation	T _a =25	2.0	W
		T _C =25	30	
T _j	Junction temperature		150	
T _{stg}	Storage temperature		-55~150	

Silicon PNP Power Transistors

2SB1022

CHARACTERISTICS

T_j=25 unless otherwise specified

SYMBOL	PARAMETER	CONDITIONS	MIN	TYP.	MAX	UNIT
V _{(BR)CEO}	Collector-emitter breakdown voltage	I _C =-50mA; I _B =0	-60			V
V _{CEsat-1}	Collector-emitter saturation voltage	I _C =-3A ; I _B =-6mA			-1.5	V
V _{CEsat-2}	Collector-emitter saturation voltage	I _C =-7A ; I _B =-14mA			-2.0	V
V _{BESat}	Base-emitter saturation voltage	I _C =-3A ; I _B =-6mA			-2.5	V
I _{CBO}	Collector cut-off current	V _{CB} =-60V; I _E =0			-100	μ A
I _{EBO}	Emitter cut-off current	V _{EB} =-5V; I _C =0			-4.0	mA
h _{FE-1}	DC current gain	I _C =-3A ; V _{CE} =-3V	2000		15000	
h _{FE-2}	DC current gain	I _C =-7A ; V _{CE} =-3V	1000			

Silicon PNP Power Transistors

2SB1022

PACKAGE OUTLINE

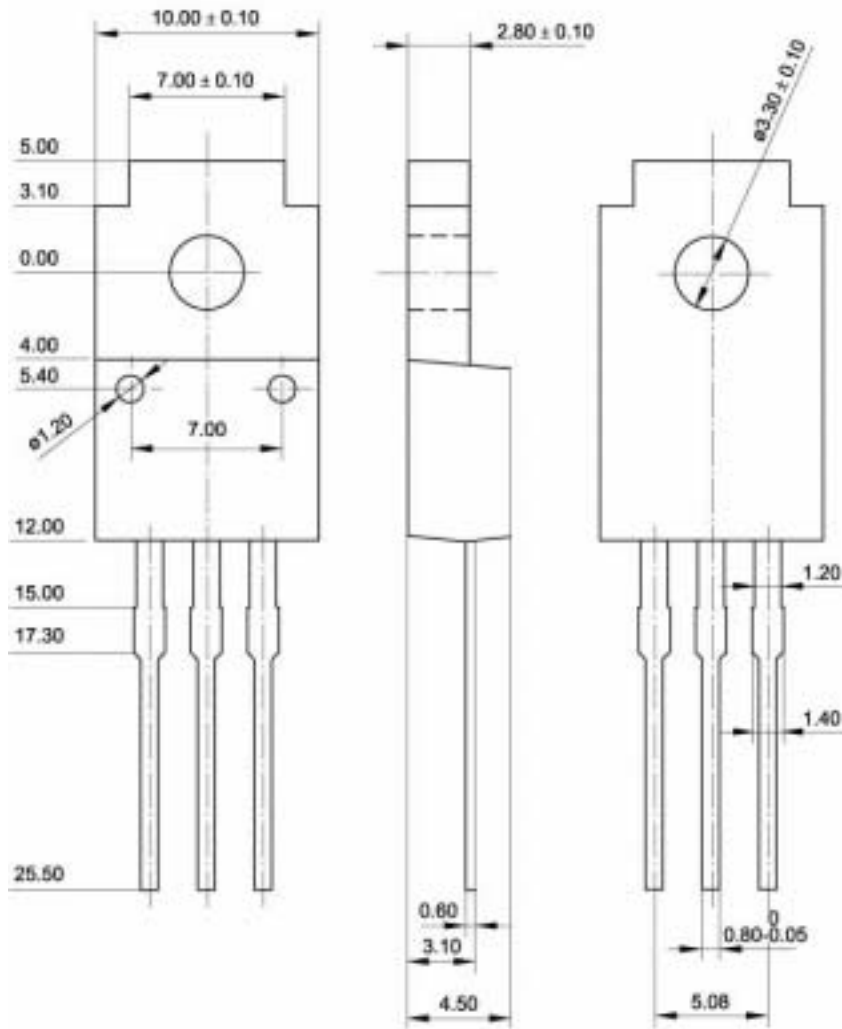


Fig.2 Outline dimensions (unindicated tolerance: ± 0.15 mm)